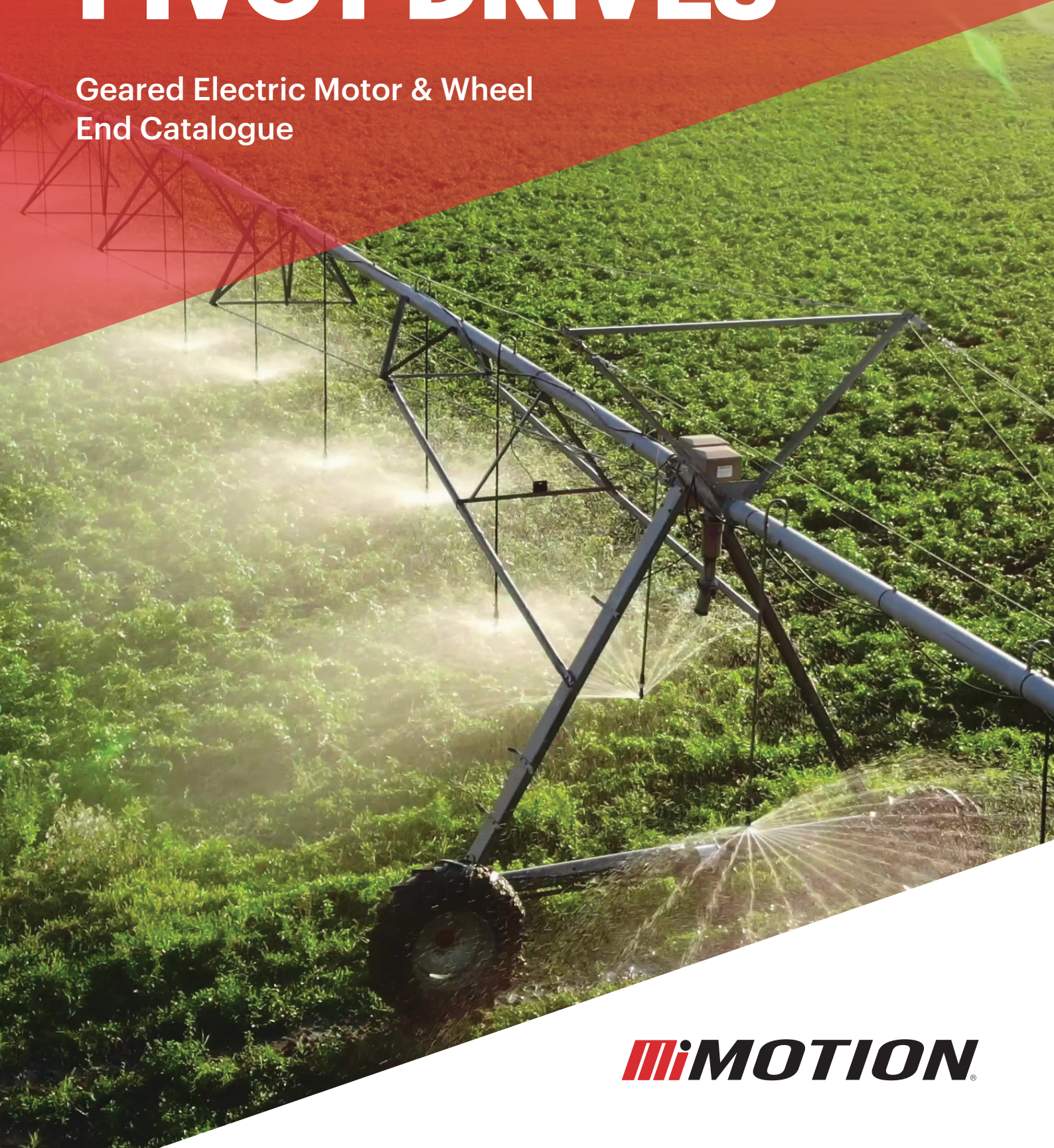


CENTRE PIVOT DRIVES

Geared Electric Motor & Wheel
End Catalogue



WHO WE ARE.

Motion delivers a world-class customer-first approach to everything we do. This has firmly established our business as the leader in the market, providing excellence and expertise in industrial products, solutions and services.

For more than 100 years we have been a feature in the Australian industrial landscape giving customers unmatched products and service through an integrated network of branches, workshops and service centres.

We have an ongoing commitment to invest in our people, facilities, IT and systems to ensure we can continue to offer a broad ranging and premium level of engineering design, servicing and turnkey projects to our customers across Australia.

We are committed and proud to keep our customers in motion, every day of the year.

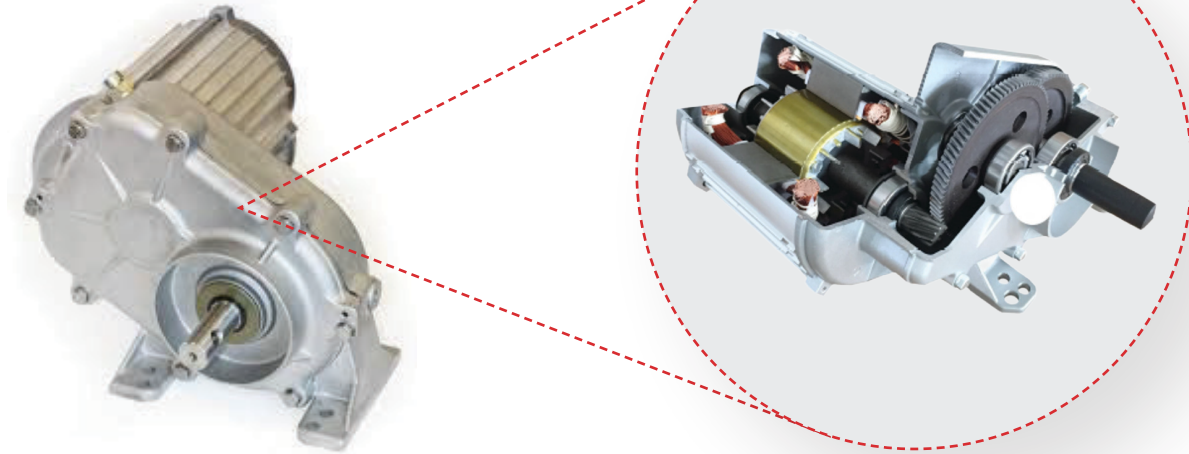
“WE KEEP THE WORLD MOVING”



MECHANICAL COMPONENTS WITHIN THE CENTRE PIVOT IRRIGATORS

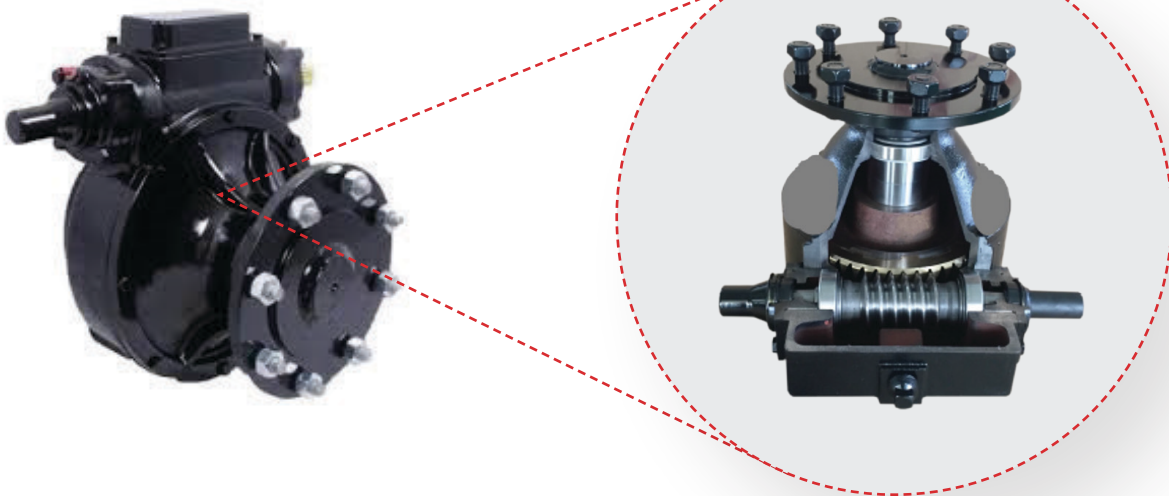
Geared Electric Motor Drives

(1 unit required per span)



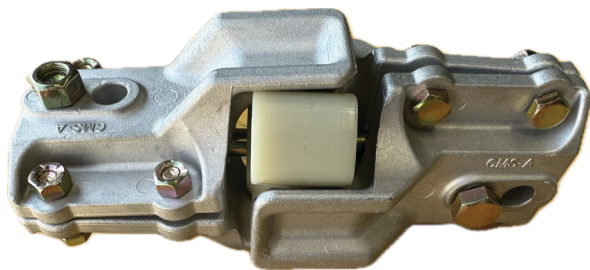
Wheel – End Drives

(2 units required per span)



Shaft Couplings

(4 units required per span)



APPLICATION

Where these Mechanical components are located within Centre Pivot Irrigators:



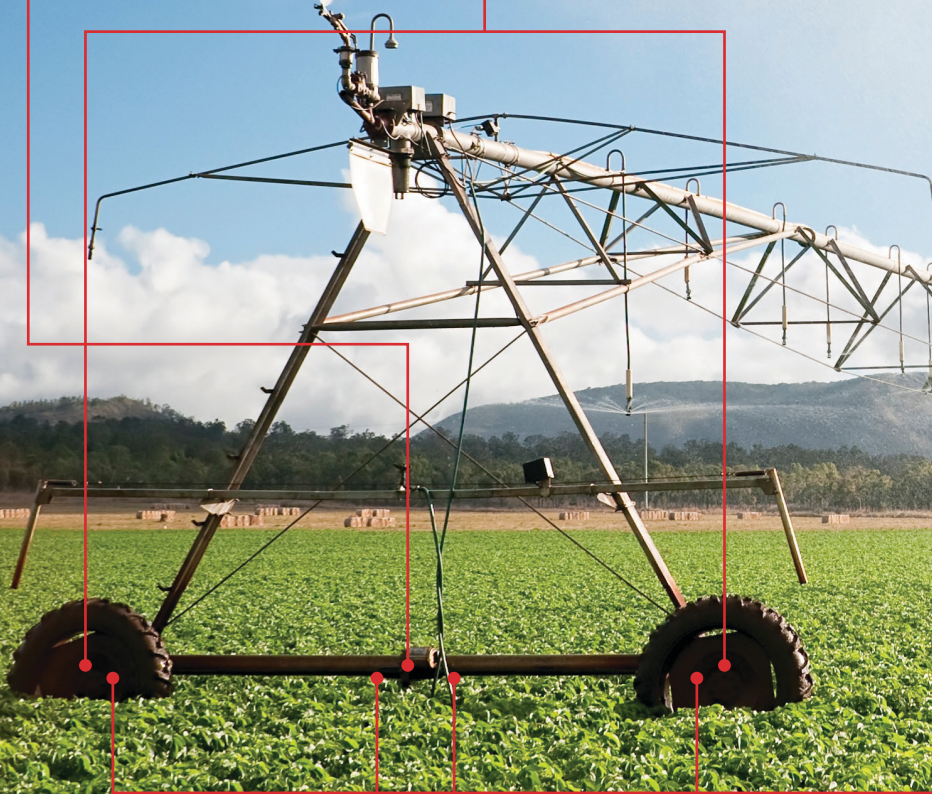
Geared Electric Motor Drives



Wheel Ends



Shaft Couplings

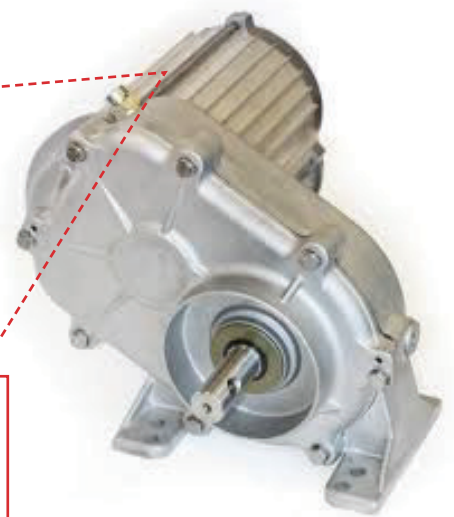


HOW TO IDENTIFY AN ELECTRIC GEARED MOTOR

MI-LFNG Series Central Drive Geared Motor

The MI-LFNG series three-phase synchronous thermal protection motor inherits the advanced concepts of international efficient motor design and manufacturing. Combining long term technology and experience in developing motors, adopting new technologies, materials, and processes to develop a new and upgraded product.

The New MI-LFNG Central Drive is known for its outstanding performance, high efficiency, energy conservation and durability.



Geared Electric Motor Drives
(Electric Motor & Helical Reducer)



Horsepower (HP)

Output Speed (RPM)

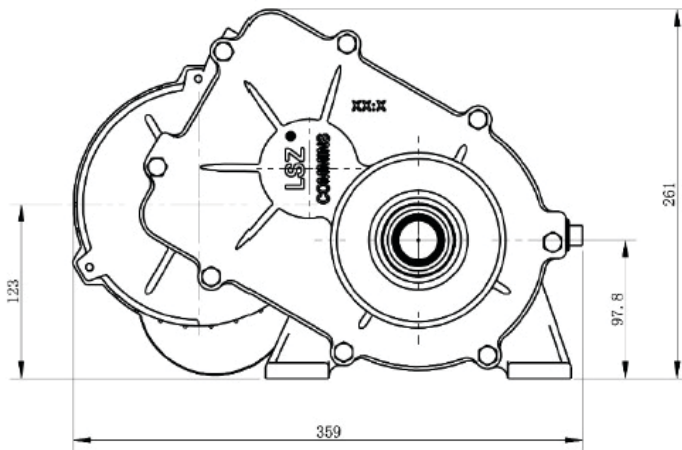
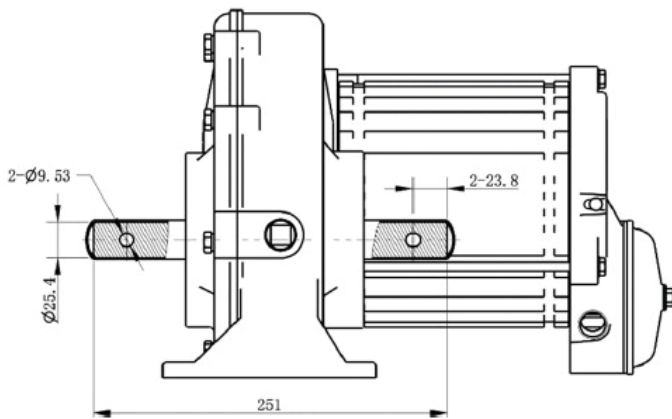
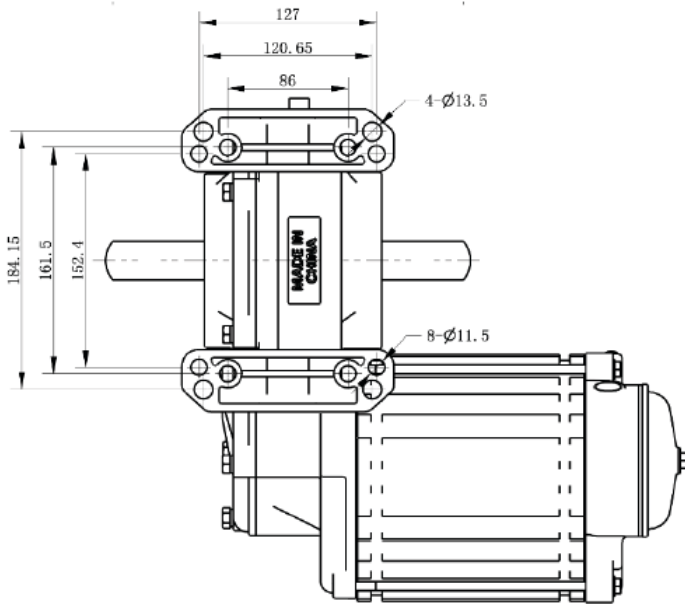
Motor Speed (RPM)

Part Number

Specifications

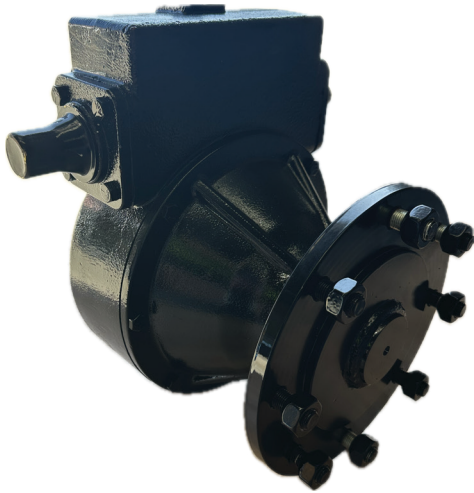
Model	MI-LFNG75-34		MI-LFNG75-43		MI-LFNG15-34		MI-LFNG15-43		MI-LFNG15-57		MI-LFNG15-68		MI-LFNG15-86	
	AUST	USA	AUST	USA	AUST	USA	AUST	USA	AUST	USA	AUST	USA	AUST	USA
Rated Frequency (Hz)	50	60	50	60	50	60	50	60	50	50	50	60	50	60
Rated Motor Power (HP)	0.75	0.75	0.75	1.75	1.5	1.5	1.5	1.5	1.5	1.5	1.5	1.5	1.5	1.5
Rated MotorSpeed (rpm)	1400	1700	1400	1720	1400	1700	1400	1720	1410	1710	2800	3400	2800	3440
Rated Voltage (V)	380	380	380	380	380	380	380	380	380	380	380	380	380	380
Rated Current (A)	1.4	1.4	1.4	1.4	2.3	2.3	2.3	2.3	2.3	2.3	2.3	2.3	2.3	2.3
Service Coefficient (%)	1	1	1	1	1	1	1	1	1	1	1	1	1	1
Transmission Ratio (i)	50	50	40	40	50	50	40	40	30	30	50	50	40	40
Output Speed (RPM)	28	34	35	43	28	34	35	43	47	57	56	68	70	86

Dimensions



TWO BASIC TYPES OF WHEELS – END DRIVES

1.
NOT Towable
(Most common)



2.
Towable
(Complete with disengaging handle – less common)



a.
Standard Wheel Drive Gearbox
(Non-expansion chamber)



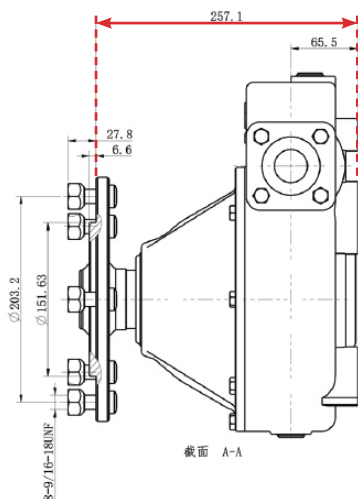
b.
Universal Wheel Drive Gearbox
(Small expansion chamber)



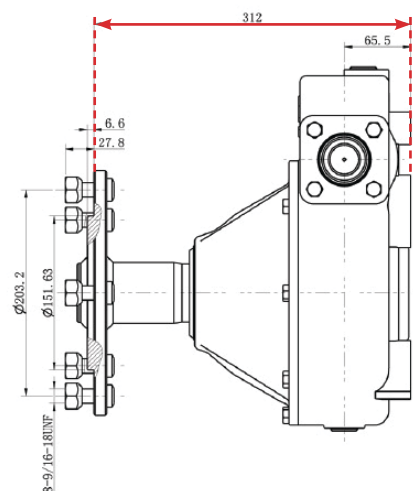
c.
Super Wheel Drive Gearbox
(Large expansion chamber)



i.
Short Axle



ii.
Long Axle



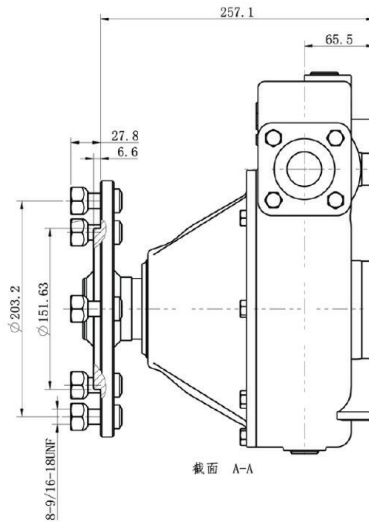
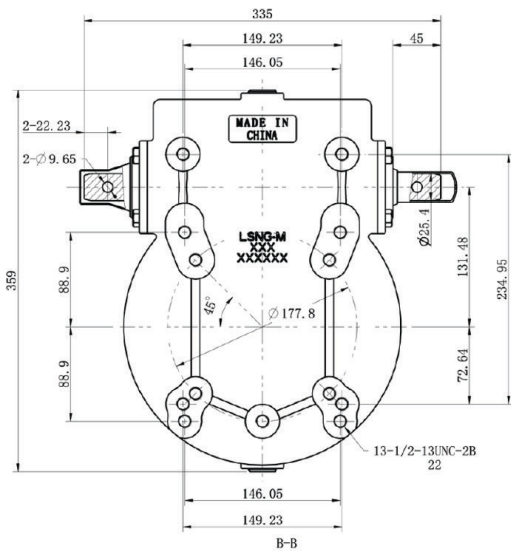
HOW TO IDENTIFY THE DIFFERENT TYPES OF WHEEL - END DRIVES

STANDARD WHEEL DRIVE GEARBOX

NOT Towable

Superior Engineering & Feature

- Filled with Premium Extreme Pressure GL5 Gear Oil
- Cartridge Input/Output Seals
- External Seal Protectors for input and Output Seals
- External Seal Protectors for Input and Output Seals
- Dual Ended Input Shaft with a Hub Cap for the Unused End
- Universal (13-Bolt) Mounting



Standard Wheel Drive Gearbox Short Axle

MI-7050 (50:1)

NOT Towable

- MI-7050
- 50:1
- SHORT Axle

Standard Wheel Drive Gearbox Long Axle

MI-7052 (52:1)

NOT Towable

- MI-7052
- 52:1
- LONG Axle

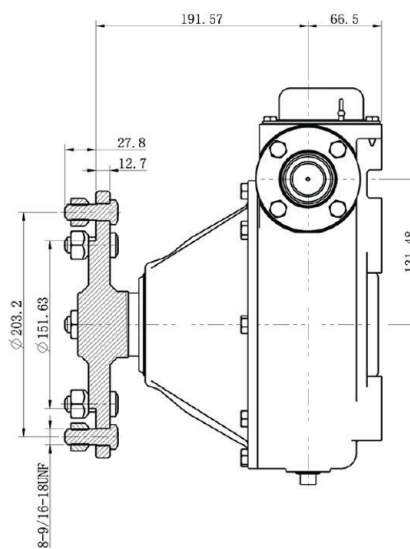
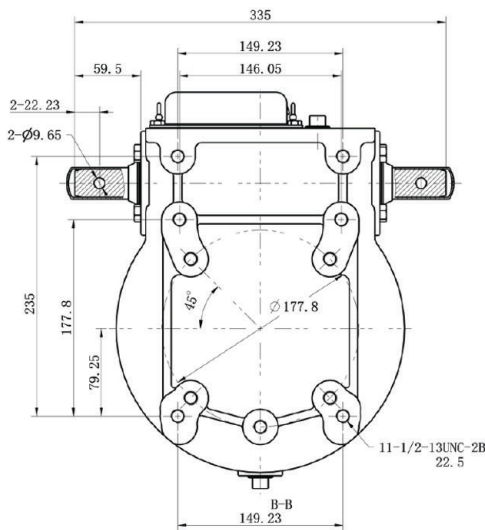
HOW TO IDENTIFY THE DIFFERENT TYPES OF WHEEL - END DRIVES

UNIVERSAL WHEEL DRIVE GEARBOX

NOT Towable

Superior Engineering & Feature

- Vented, External Expansion Chamber with Rubber Diaphragm
- Filled with Premium Extreme Pressure GL5 Gear Oil
- Cartridge Input/Output Seals
- Dual Ended Input Shaft with a Hub Cap for the Unused End
- Universal (11/13-Bolt) Mounting



Universal Wheel Drive Gearbox Short Axle
MI-7150 (50:1)

NOT Towable

- MI-7150
- 50:1
- SHORT Axle

Universal Wheel Drive Gearbox Long Axle
MI-7152 (52:1)

NOT Towable

- MI-7152
- 52:1
- LONG Axle

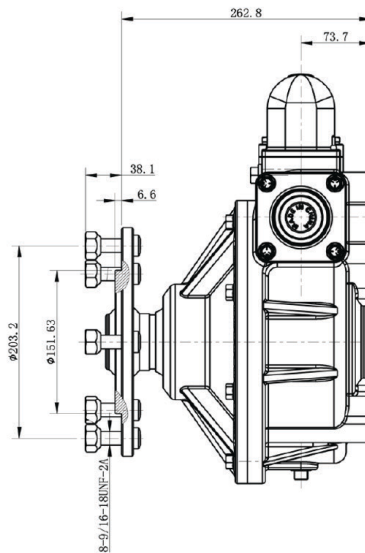
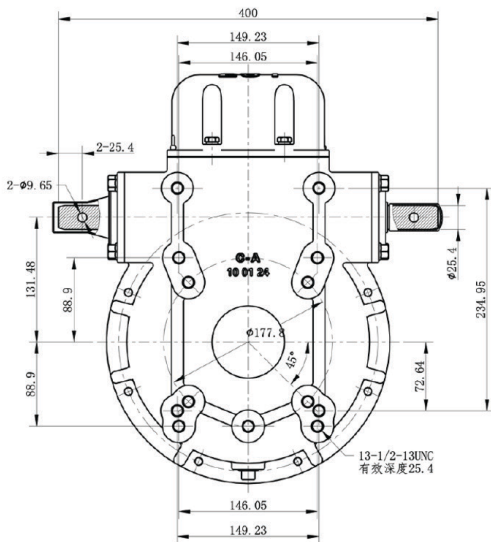
HOW TO IDENTIFY THE DIFFERENT TYPES OF WHEEL - END DRIVES

SUPER WHEEL DRIVE GEARBOX

NOT Towable

Superior Engineering & Feature

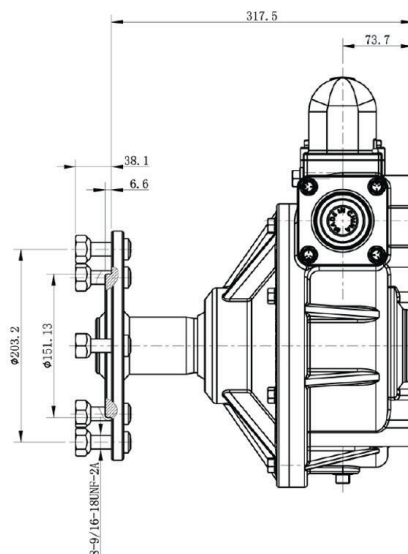
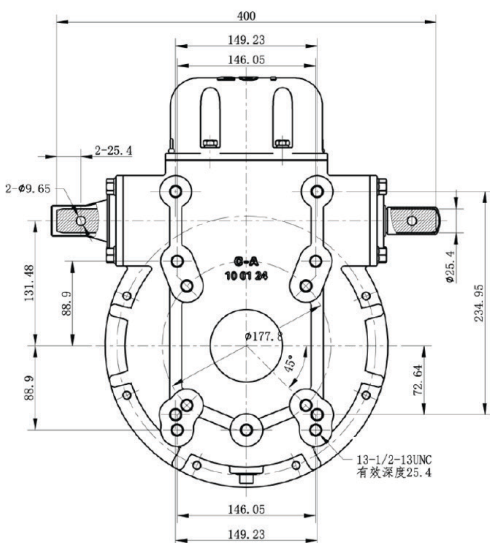
- Vented, External Expansion Chamber with Rubber Diaphragm
- Filled with Premium Extreme Pressure GL5 Gear Oil
- Cartridge Inout/Output Seals
- Dual Ended Input Shaft with a Hub Cap For the Unused End
- Universal (13-Bolt) Mounting



Super Wheel Drive Gearbox Short Axle
MI-8050 (50:1)

NOT Towable

- MI-8050
- 50:1
- SHORT Axle



Super Wheel Drive Gearbox Long Axle
MI-8052 (52:1)

NOT Towable

- MI-8052
- 52:1
- LONG Axle

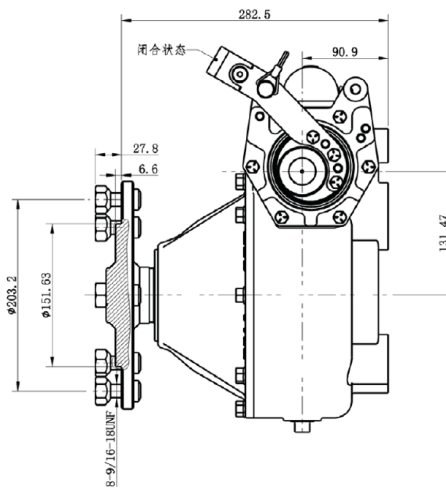
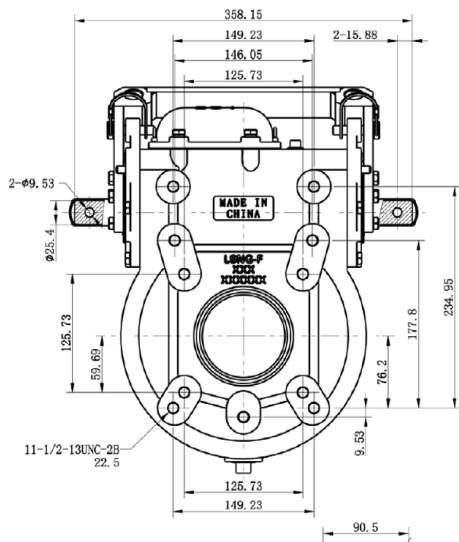
HOW TO IDENTIFY THE DIFFERENT TYPES OF WHEEL - END DRIVES

SUPER WHEEL DRIVE GEARBOX

Towable

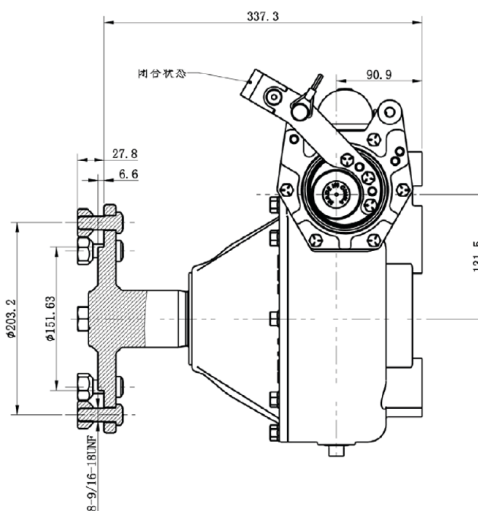
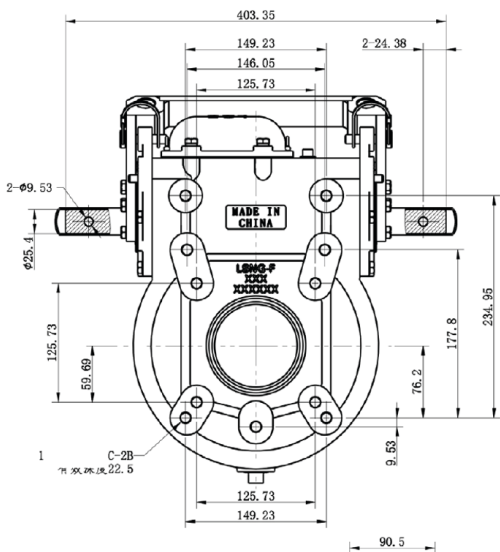
Superior Engineering & Feature

- Vented, External Expansion Chamber with Rubber Diaphragm
- Filled with Premium Extreme Pressure GL5 Gear Oil
- Cartridge Input/Output Seals
- Dual Ended Input Shaft with a Hub Cap for the Unused End
- Universal (13-Bolt) Mounting



Super Wheel Drive Gearbox Short Axle
MI-8150 (50:1)

- Towable**
- MI-8150
 - 50:1
 - SHORT Axle

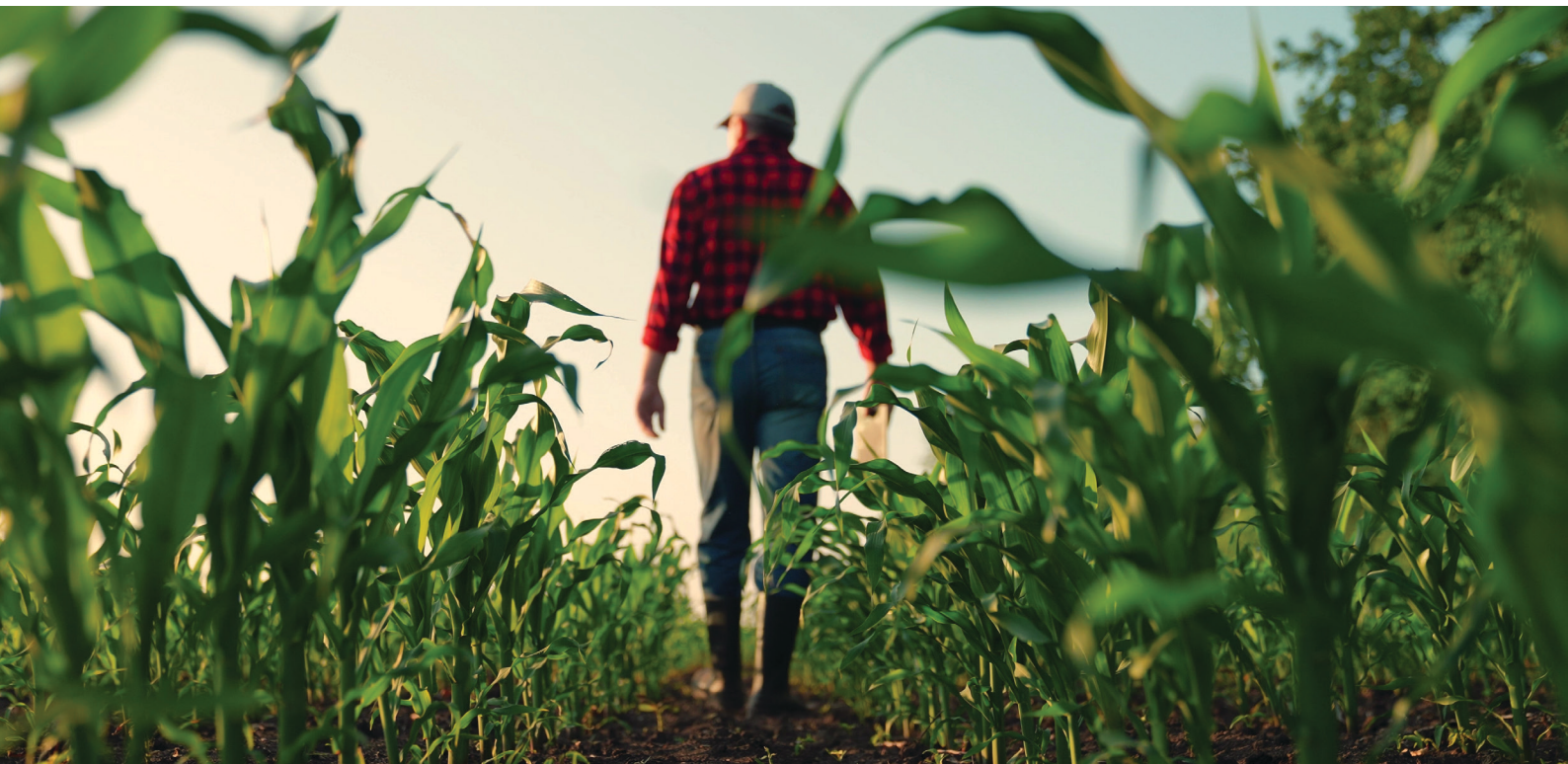
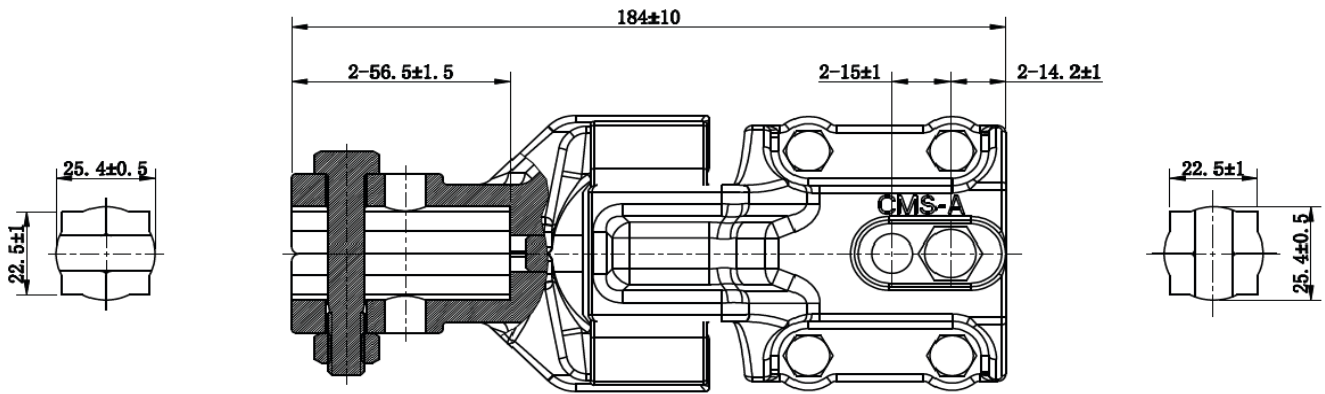
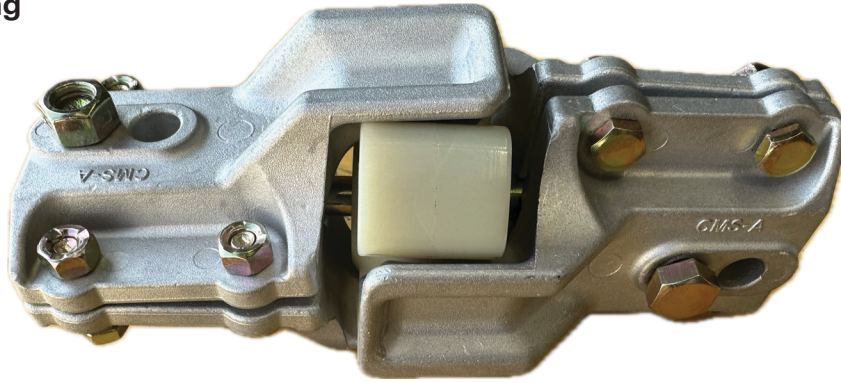


Super Wheel Drive Gearbox Long Axle
MI-8152 (52:1)

- Towable**
- MI-8152
 - 52:1
 - LONG Axle

MI-LZQ SERIES

Flexible Coupling





iMOTION

Delivering a world-class customer-first approach providing excellence and expertise in industrial products, solutions and services.

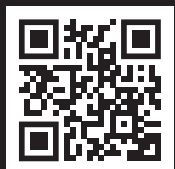
iMOTION
FLUID POWER SOLUTIONS

Specialists in Fluid Power Solutions tailored to keep your equipment moving.

iMOTION
ENGINEERING & SERVICES

Specialist design and engineering, manufacturing, repair and maintenance services.

Anytime.Anywhere.
Always Here.™



Find a location near you!

Scan the QR Code to find out more or visit Motion.com.au